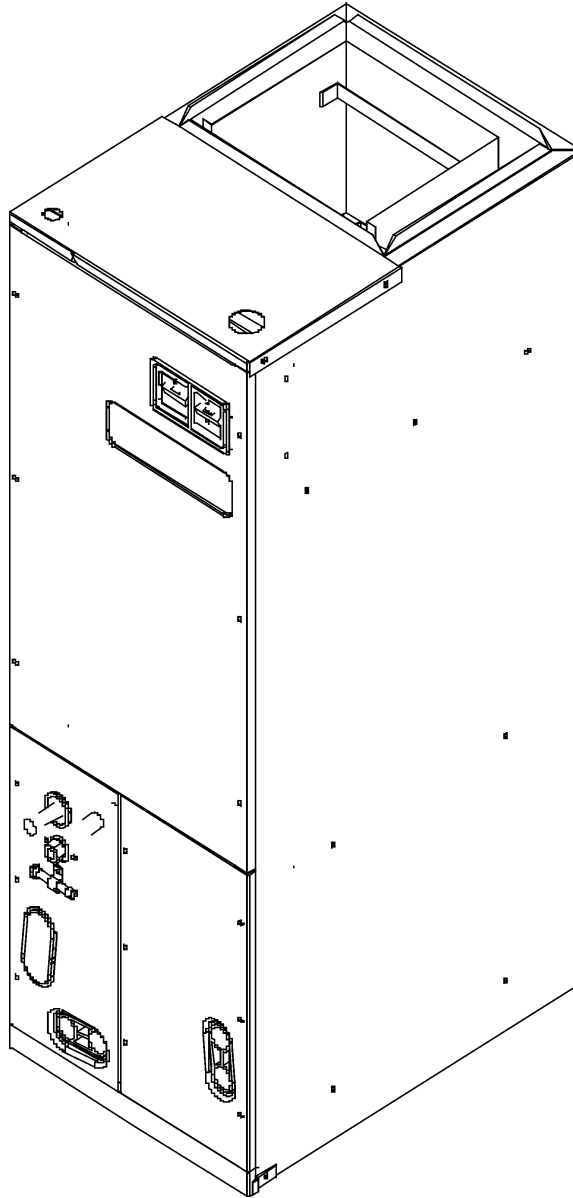


REPAIR PARTS

ASPF Aluminum Coil Air Handlers

ASPF183016CA
ASPF183016DA
ASPF183016EA
ASPF313716CA
ASPF313716DA
ASPF313716EA
ASPF426016CA
ASPF426016DA
ASPF426016EA



This manual is to be used by qualified technicians only.

This manual replaces RP-634C.

© 2010 - 2012, 2016 Goodman Manufacturing Company, L.P. ♦ 5151 San Felipe St., Suite 500 ♦ Houston, TX 77056

Important Information

Index

Functional Parts List	3
Illustration and Parts	4 - 7

Views shown are for parts illustrations only, not servicing procedures

Text Codes:

AR - As Required

NA - Not Available

NS - Not Shown

00000000 - See Note

QTY - Quantity Example (QTY 3) (If Quantity not shown, Quantity = 1)

M - Model Example (M1) (If M Code not shown, then part is used on all Models)

Expanded Model Nomenclature:

Example M1 - Model#1 M2 - Model#2 M3 - Model#3

Goodman Manufacturing Company, L.P. is not responsible for personal injury or property damage resulting from improper service. Review all service information before beginning repairs.

Warranty service must be performed by an authorized technician, using authorized factory parts. If service is required after the warranty expires, Goodman Manufacturing Company, L.P. also recommends contacting an authorized technician and using authorized factory parts.

Goodman Manufacturing Company, L.P. reserves the right to discontinue, or change at any time, specifications or designs without notice or without incurring obligations.

For assistance within the U.S.A. contact:
Homeowner Support
Goodman Manufacturing Company, L.P.
19001 Kermier Road
Waller, Texas 77484
877-254-4729-Telephone
713-863-2382-Facsimile

For assistance outside the U.S.A. contact:
International Division
Goodman Manufacturing Company, L.P.
19001 Kermier Road
Waller, Texas 77484
713-861-2500-Telephone
713-863-2382-Facsimile

Functional Parts

Part

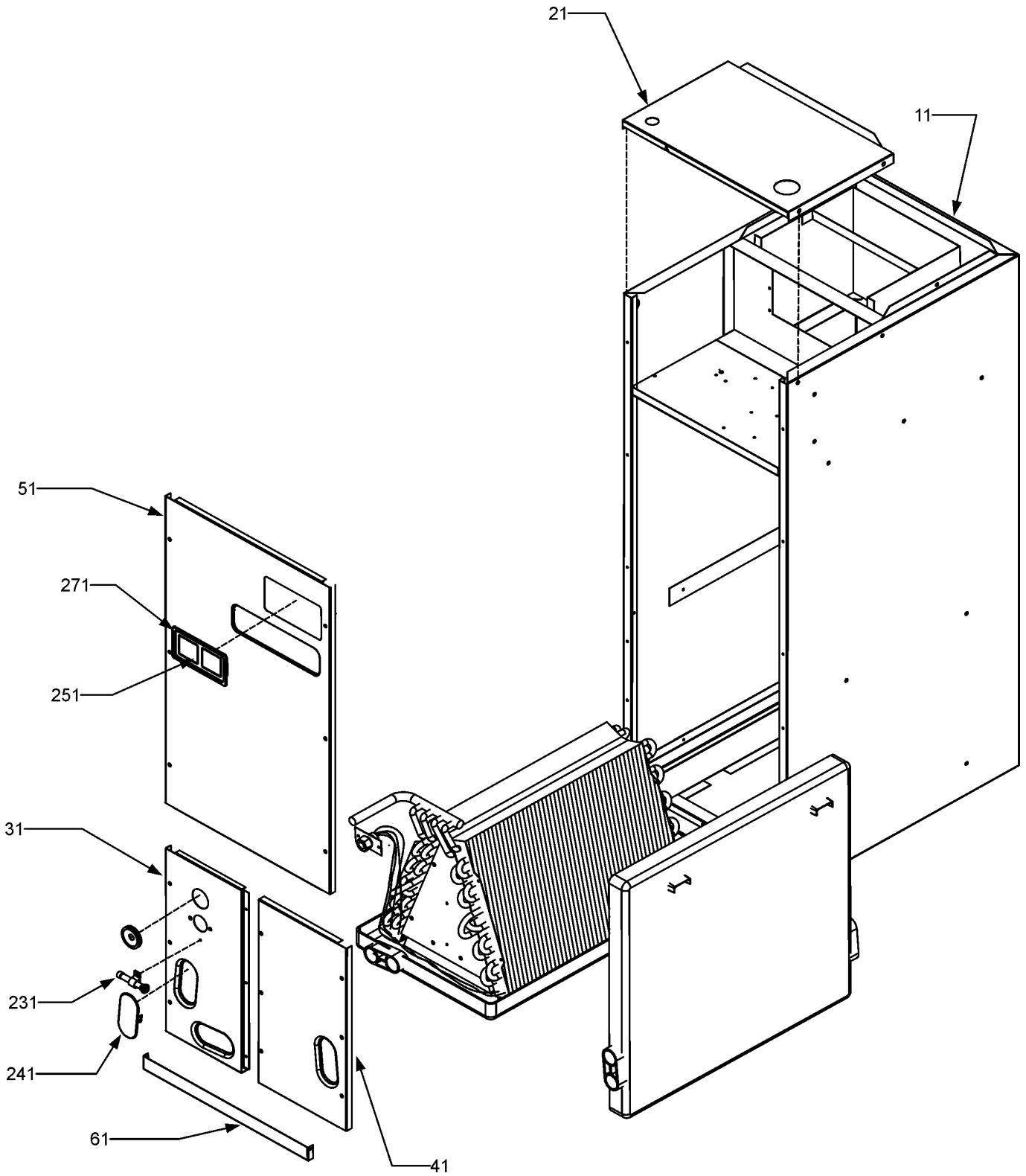
No: Description:

0131M00507	MOTOR,1/2HP,SELECTECH PROGRAM (M2, M3)
0131M00105	MOTOR-1/2 HP PROGRAMMED X-13 (M1)
0131M00509	MOTOR-3/4 HP PROGRAM SELECTECH (M8, M9)
0131M00510	MOTOR-3/4 HP PROGRAM SELECTECH (M5, M6)
0131M00109	MOTOR-3/4 HP PROGRAMMED X-13 (M7)
0131M00107	MOTOR-3/4 HP PROGRAMMED X-13 (M4)
0130M00129	RELAY, WCK
0130M00138	TRANSFORMER 208/230, 24V

Expanded Model Nomenclature

M1 - ASPF183016CA
M2 - ASPF183016DA
M3 - ASPF183016EA
M4 - ASPF313716CA
M5 - ASPF313716DA
M6 - ASPF313716EA
M7 - ASPF426016CA
M8 - ASPF426016DA
M9 - ASPF426016EA

Cabinet



Cabinet

Ref. Part No: No:	Description:	Ref. Part No: No:	Description:
-------------------	--------------	-------------------	--------------

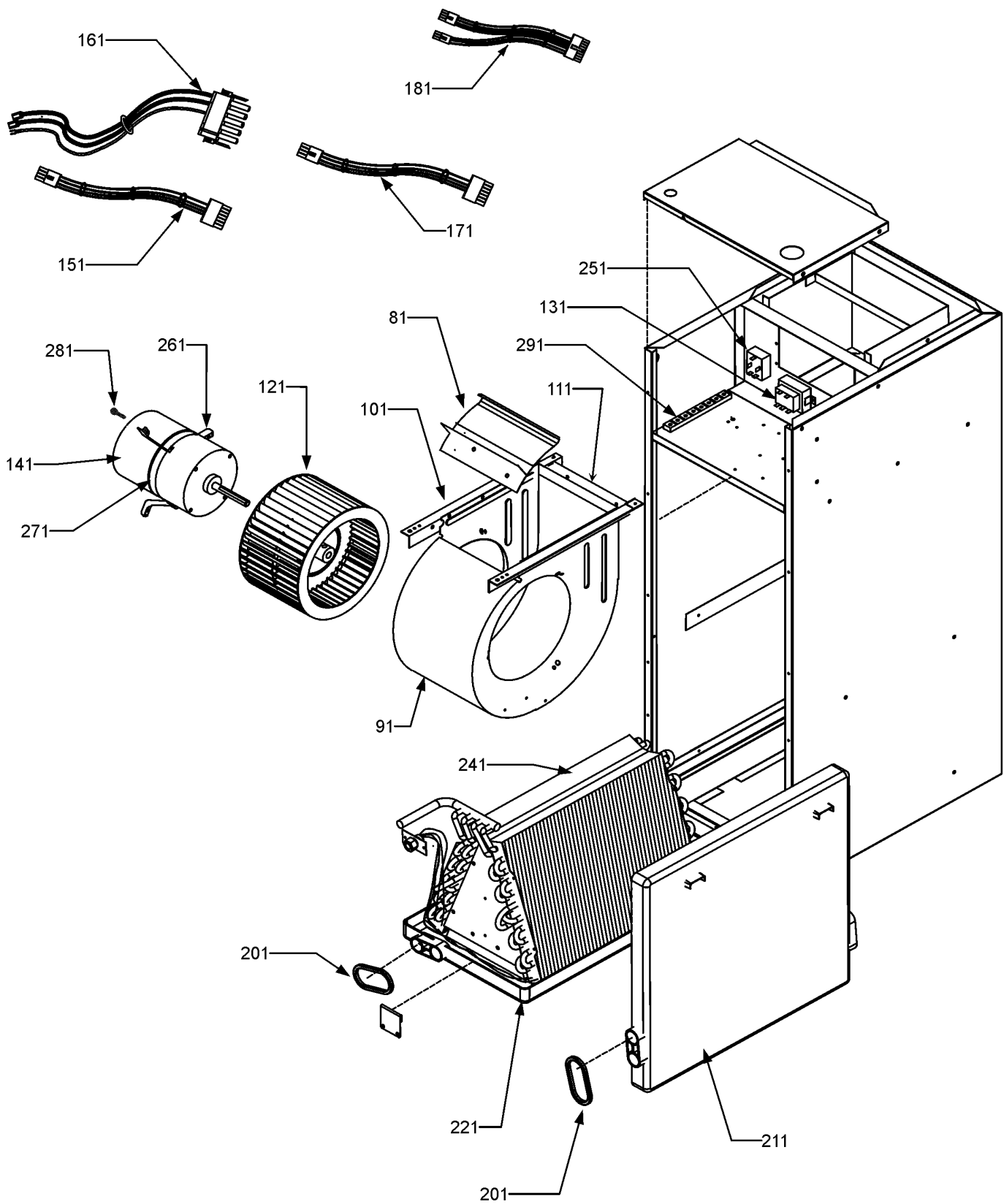
Image 1:

11	0121A00494PDG	PAINTED WRAPPER (M1, M2, M3)
11	1721123PDG	WRAPPER (M4, M5, M6, M7, M8, M9)
21	0121A00114PDG	PLATE, UPPER TIE (M1, M2, M3)
21	0121A00115PDG	PLATE, UPPER TIE (M4, M5, M6, M7, M8, M9)
31	1722077PDG	LOWER ACCESS PANEL (M1, M2, M3)
31	1722078PDG	LOWER ACCESS PANEL (M4, M5, M6, M7, M8, M9)
41	1722080PDG	LOWER SERVICE PANEL (M1, M2, M3)
41	1722081PDG	LOWER SERVICE PANEL (M4, M5, M6, M7, M8, M9)
51	1722083PDG	UPPER ACCESS PANEL (M1, M2, M3)
51	1722084PDG	UPPER ACCESS PANEL (M4, M5, M6, M7, M8, M9)
61	1722087PDG	FILTER COVER LRG (M4, M5, M6, M7, M8, M9)
61	1722086PDG	FILTER COVER MED (M1, M2, M3)
231	BT1369063	90 DEGREE STUB (M1, M3, M4, M6, M7, M9)
241	B1392640	PLASTIC DRAIN COVER (QTY 2)
251	0161A00034	PLASTIC BREAKER INSERT
271	B13926122	CIRCUIT BREAKER INSERT GASKET
NS	1721918	BOTTOM TIE LRG (M4, M5, M6, M7, M8, M9)
NS	1721917	BOTTOM TIE MED (M1, M2, M3)

Expanded Model Nomenclature

M1 - ASPF183016CA
M2 - ASPF183016DA
M3 - ASPF183016EA
M4 - ASPF313716CA
M5 - ASPF313716DA
M6 - ASPF313716EA
M7 - ASPF426016CA
M8 - ASPF426016DA
M9 - ASPF426016EA

Internal Components



Internal Components

Ref. Part No:	No:	Description:	Ref. Part No:	No:	Description:
<i>Image 1:</i>			Expanded Model Nomenclature		
81	764734	BLOWER CUT-OFF (M1, M2, M3)	M1	-	ASPF183016CA
81	0121A00020	BLOWER CUT-OFF 11 X 10 (M7, M8, M9)	M2	-	ASPF183016DA
81	0121A00021	BLOWER CUT-OFF 11 X 10 (M4, M5, M6)	M3	-	ASPF183016EA
91	1439392	BLOWER HOUSING 9 X 8 (M1, M2, M3)	M4	-	ASPF313716CA
91	0270A00132	BLOWER HOUSING ASSY (M4, M5, M6)	M5	-	ASPF313716DA
91	0270A00133	BLOWER HOUSING ASSY 11 X 10 (M7, M8, M9)	M6	-	ASPF313716EA
101	0121A00027	BLOWER MOUNTING ANGLE (M1, M2, M3, M4, M5, M6, M8, M9)	M7	-	ASPF426016CA
111	0121A00495	BLOWER MOUNTING ANGLE	M8	-	ASPF426016DA
121	B1368048	BLOWER WHEEL 10X10 (M5, M6)	M9	-	ASPF426016EA
121	B1368000	BLOWER WHEEL 11 X 10 (M7, M8, M9)			
121	B1368037	BLOWER WHEEL 9 X 8 (M1, M2, M3)			
121	0150M00036	WHEEL, BLOWER 10 X 10 (M4)			
131	0130M00138	TRANSFORMER 208/230, 24V			
141	0131M00507	MOTOR,1/2HP,SELECTECH PROGRAM (M2, M3)			
141	0131M00105	MOTOR-1/2 HP PROGRAMMED X-13 (M1)			
141	0131M00509	MOTOR-3/4 HP PROGRAM SELECTECH (M8, M9)			
141	0131M00510	MOTOR-3/4 HP PROGRAM SELECTECH (M5, M6)			
141	0131M00107	MOTOR-3/4 HP PROGRAMMED X-13 (M4)			
141	0131M00109	MOTOR-3/4 HP PROGRAMMED X-13 (M7)			
151	0259A00002P	WIRE ASSY, 9-PIN MALE CONNECTOR			
161	0130M00022	X-13 POWER HARNESS			
171	0259A00006	WIRE ASSY, 9 PIN FEMALE CONN.			
181	0130M00021	WIRE HARNESS, X-13 LOW VOLTAGE			
201	0154A00000BL	DRAIN PAN GASKET (QTY 2)			
211	B1756022L	PLASTIC DRAIN PAN (HORIZONTAL) (M1, M2, M3)			
211	B1756028L	PLASTIC DRAIN PAN (HORIZONTAL) (M4, M5, M6, M7, M8, M9)			
221	B1756017L	PLASTIC DRAIN PAN (VERTICAL) (M1, M3)			
221	B1756020L	PLASTIC DRAIN PAN (VERTICAL) (M5)			
241	0270A00414	ASSY, COIL TUBING (M7, M9)			
241	0270A00419	ASSY, COIL TUBING (M1, M3)			
241	0270A00428	ASSY, COIL TUBING (M4, M6)			
241	0270A00335	COIL PAN ASSY (M5)			
241	1262403	COIL PAN ASSY (M2)			
241	1262405	COIL PAN ASSY (M8)			
251	0130M00129	RELAY, WCK			
261	0163A00008	MOTOR MOUNT ARM (M7, M8, M9)			
261	B1376853	MOTOR MOUNT ARM (M4, M5, M6)			
261	B1376861	MOTOR MOUNT ARM (M1, M2, M3)			
271	0121M00038	MOTOR MOUNT BAND (M1, M2, M3, M4, M5, M6)			
271	0121M00039	MOTOR MOUNT BAND (HEAVY DUTY) (M7, M8, M9)			
281	B1393322	MACHINE SCREW HWH 1/4-20 X 1-1/2 BZ (QTY 3)			
291	0130M00020	TERMINAL BOARD			
NS	0163M00175	CAP WITH O-RING (M1, M3, M4, M6, M7, M9)			
NS	0161A00033	FUSE HOLDER			
NS	B1393800	LOCKNUT, NYLON, INSERT 1/4, 20 (M2, M3, M5, M6, M8, M9)			
NS	B1393322	MACHINE SCREW HWH 1/4-20 X 1-1/2 BZ (QTY 3)			
NS	B1787000	VALVE CORE			